

**CATALOG CODE**  
**SB-X.X-XX-XXX**

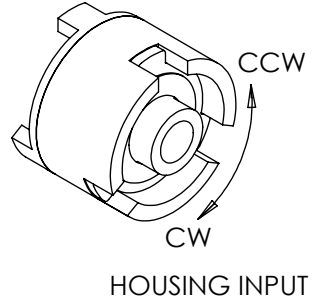
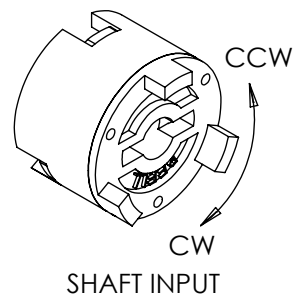
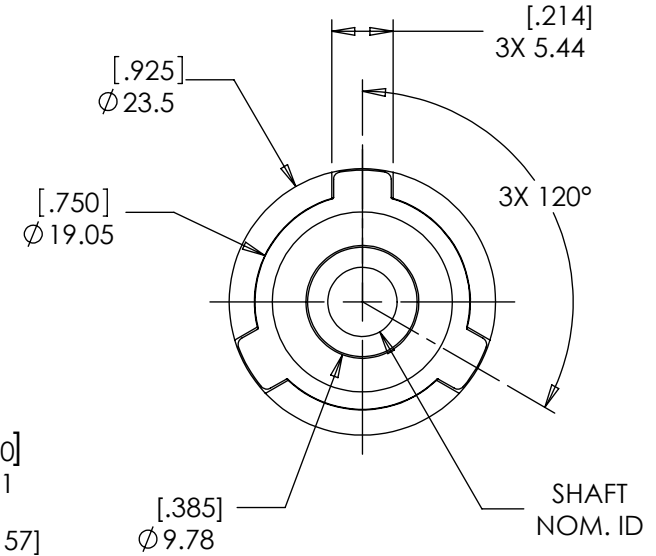
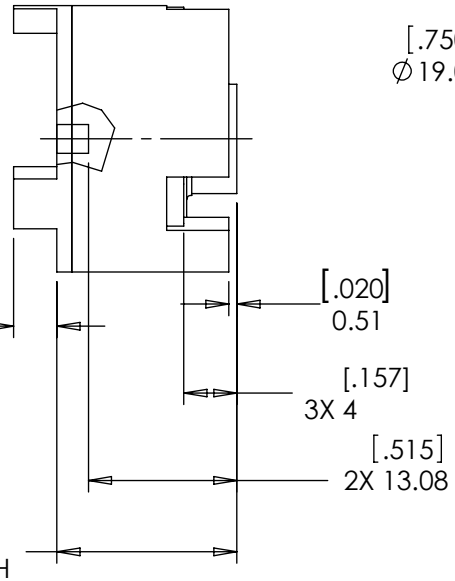
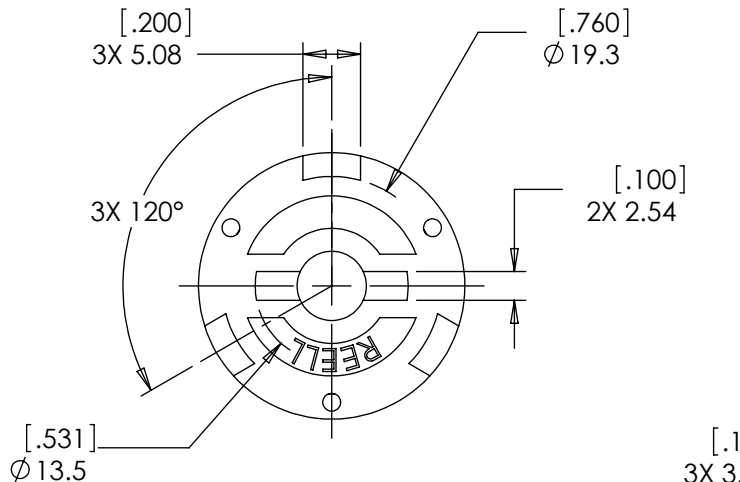
TORQUE (Nm)
0.1
0.2
0.4
0.7

DIRECTION
CW
CCW

BORE (SHAFT INTERFACE)
6mm
1/4 (IN)
8mm

SHAFT NOM. ID
6mm
1/4"
8mm

DYNAMIC TORQUE
0.1 ± 0.02 Nm [0.88 ± 0.183 LB-IN]
0.2 ± 0.04 Nm [1.77 ± 0.355 LB-IN]
0.4 ± 0.08 Nm [3.54 ± 0.709 LB-IN]
0.7 ± 0.14 Nm [6.2 ± 1.244 LB-IN]



SPECIFICATIONS SUBJECT TO CHANGE

ALL DIMENSIONS REFERENCE  
SEE CAD MODEL FOR  
UNSPECIFIED FEATURES

	ECO NO: 02639	PART LIFECYCLE: RELEASED
	APPROVED BY: BOB WAHLSTEDT	DEVELOPMENT CYCLE: PRODUCTION
	APPROVED DATE: 18MAY20	DESCRIPTION:
	PROJECT NO: 0	<b>SALES DRAWING</b>
ENGINEER: BOB WAHLSTEDT		
REELL PRECISION MANUFACTURING 1259 WILLOW LAKE BOULEVARD SAINT PAUL, MINNESOTA 55110-5103, USA	DRAWN BY: DERICK OFFOR	PART NO: <b>SB</b>
THIS PRINT IS THE CONFIDENTIAL PROPERTY OF REELL PRECISION MFG.	THIRD ANGLE PROJECTION 	REV: <b>J</b>
INTERPRET PRINT PER ASME Y14.5M-2009	DIMENSIONS: mm [IN]	SCALE: 1.5:1 DO NOT SCALE DRAWING SHEET 1 OF 1