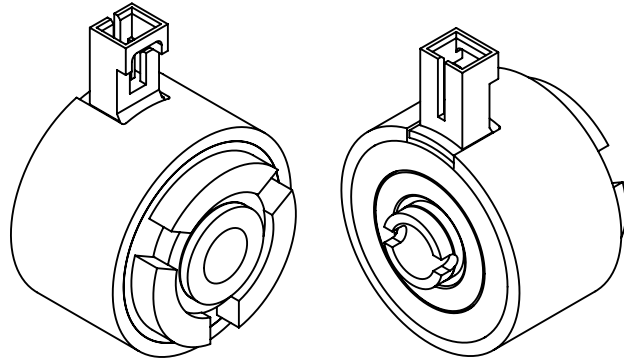


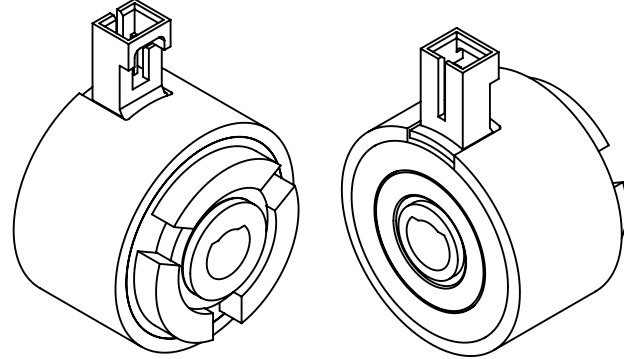
CURRENTLY AVAILABLE  
CATALOG OPTIONS

CATALOG CODE

- EC30XP-CW-8mm-24
- EC30XP-CCW-8mm-24
- D EC30XP-CW-8mm-12
- EC30XP-CCW-8mm-12
- EC30XP-CW-6mm-24
- EC30XP-CCW-6mm-24
- EC30XP-CW-1/4-24
- EC30XP-CCW-1/4-24
- EC30XP-CW-6mm-12
- EC30XP-CCW-6mm-12
- EC30XP-CW-1/4-12
- EC30XP-CCW-1/4-12
- C ED30XP-CW-8mm-24
- ED30XP-CCW-8mm-24
- ED30XP-CW-8mm-12
- ED30XP-CCW-8mm-12
- ED30XP-CW-6mm-24
- ED30XP-CCW-6mm-24
- ED30XP-CW-6mm-12
- ED30XP-CCW-6mm-12



CROSS PIN DESIGN



D-SHAFT DESIGN

# CATALOG CODE EX30XP-XX-XXX-XX

**SHAFT INTERFACE**  
C - CROSS PIN  
D - D-SHAFT

**DIRECTION**  
CW  
CCW

**SHAFT ID**  
6mm  
1/4 (IN)  
8mm

**VOLTAGE**  
12  
24

SPECIFICATIONS SUBJECT TO CHANGE

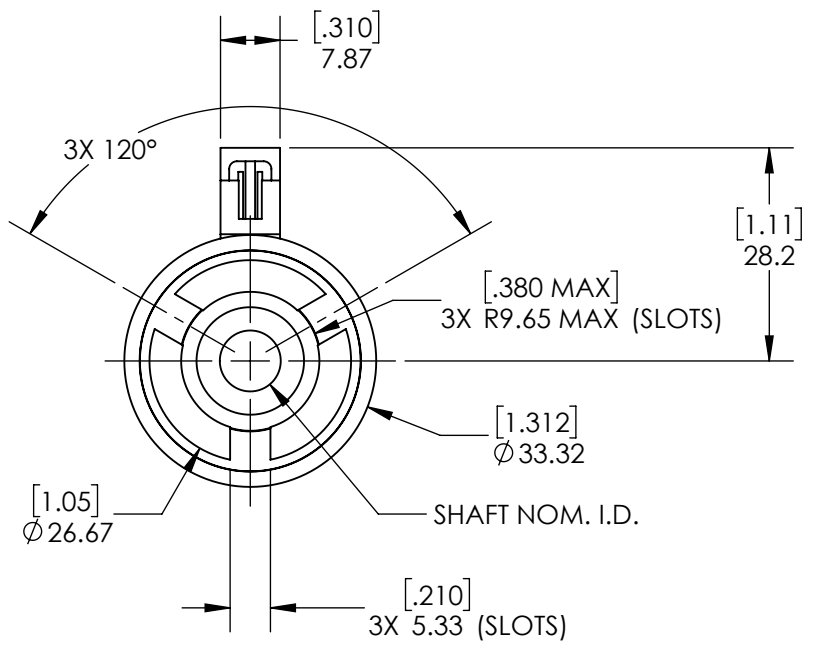
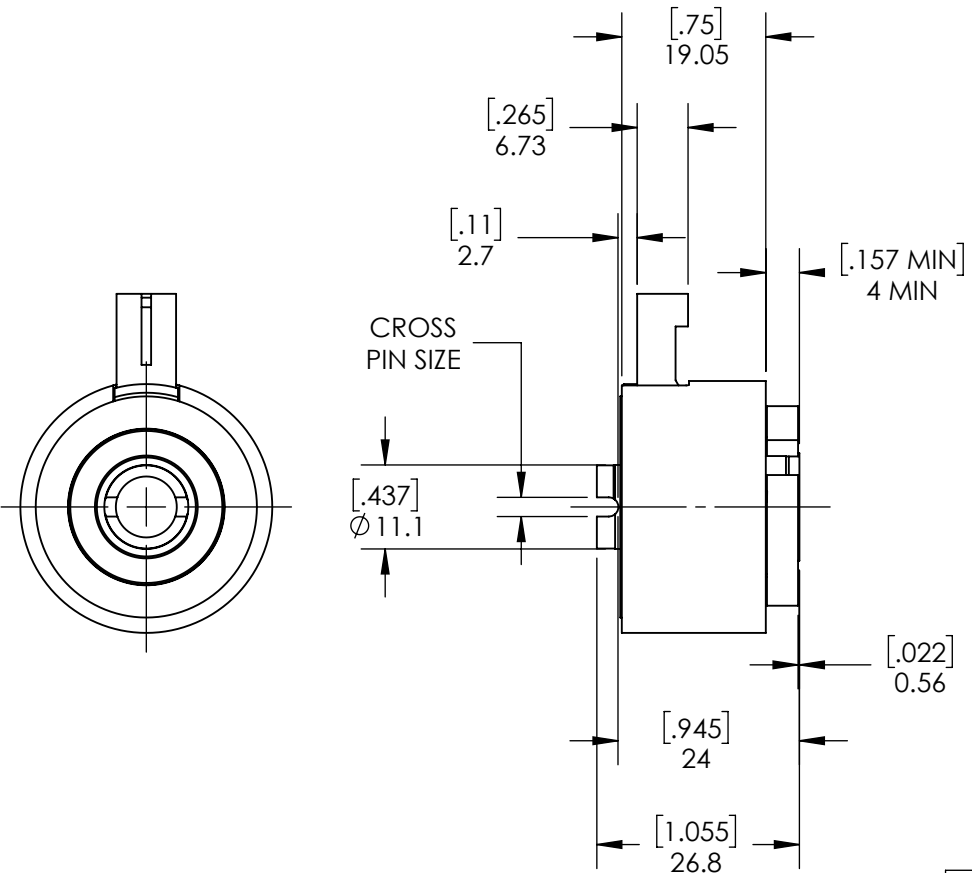
 REELL PRECISION MANUFACTURING 1259 WILLOW LAKE BOULEVARD SAINT PAUL, MINNESOTA 55110-5103, USA	ECO NO: 05550	PART LIFECYCLE: RELEASED
	APPROVED BY: BOB WAHLSTEDT	DEVELOPMENT CYCLE: PRODUCTION
	APPROVED DATE: 15NOV22	DESCRIPTION:
	PROJECT NO: 0	<b>SALES DRAWING</b>
ENGINEER: BOB WAHLSTEDT	DRAWN BY: BOB WAHLSTEDT	PART NO: EX30XP
THIS PRINT IS THE CONFIDENTIAL PROPERTY OF REELL PRECISION MFG.	THIRD ANGLE PROJECTION 	REV: L
INTERPRET PRINT PER ASME Y14.5M-2009	DIMENSIONS: mm	SCALE: 1:1 DO NOT SCALE DRAWING SHEET 1 OF 3

REELL RADIAL ELECTRIC CLUTCH

SHAFT NOM. I.D.	CROSS PIN SIZE	ONE MILLION CYCLE TORQUE RATING: 3.4 Nm [30 Lb-in] TOTAL LOAD
6 mm	2.5 mm	CROSS PIN SHAFT 8 mm BORE SHOWN
1/4 IN	3/32 IN	
8 mm	2.5 mm	

NOTES:

- CONNECTOR PINS ARE 0.64 x 0.64 [.025 x .025] SQUARE. THE FOLLOWING MATING CONNECTORS CAN BE USED.  
 TERMINAL: POLARIZED LATCHING CONNECTOR, INSULATION DISPLACEMENT CONTACTS  
 AMP NO. 5-103956-1  
 ALTERNATE TERMINAL:  
 MOLEX NO. 14-60-0022  
 A LEAD SET WITH MATING CONNECTOR AND 380mm [15 INCH] LEADS IS AVAILABLE. REELL CATALOG CODE LS-01-380.
- RESISTANCE: 12 VOLTS 44 OHMS AT 20°C [68°F].  
 24 VOLTS 175 OHMS AT 20°C [68°F].



ALL DIMENSIONS REFERENCE  
SEE CAD MODEL FOR UNSPECIFIED FEATURES

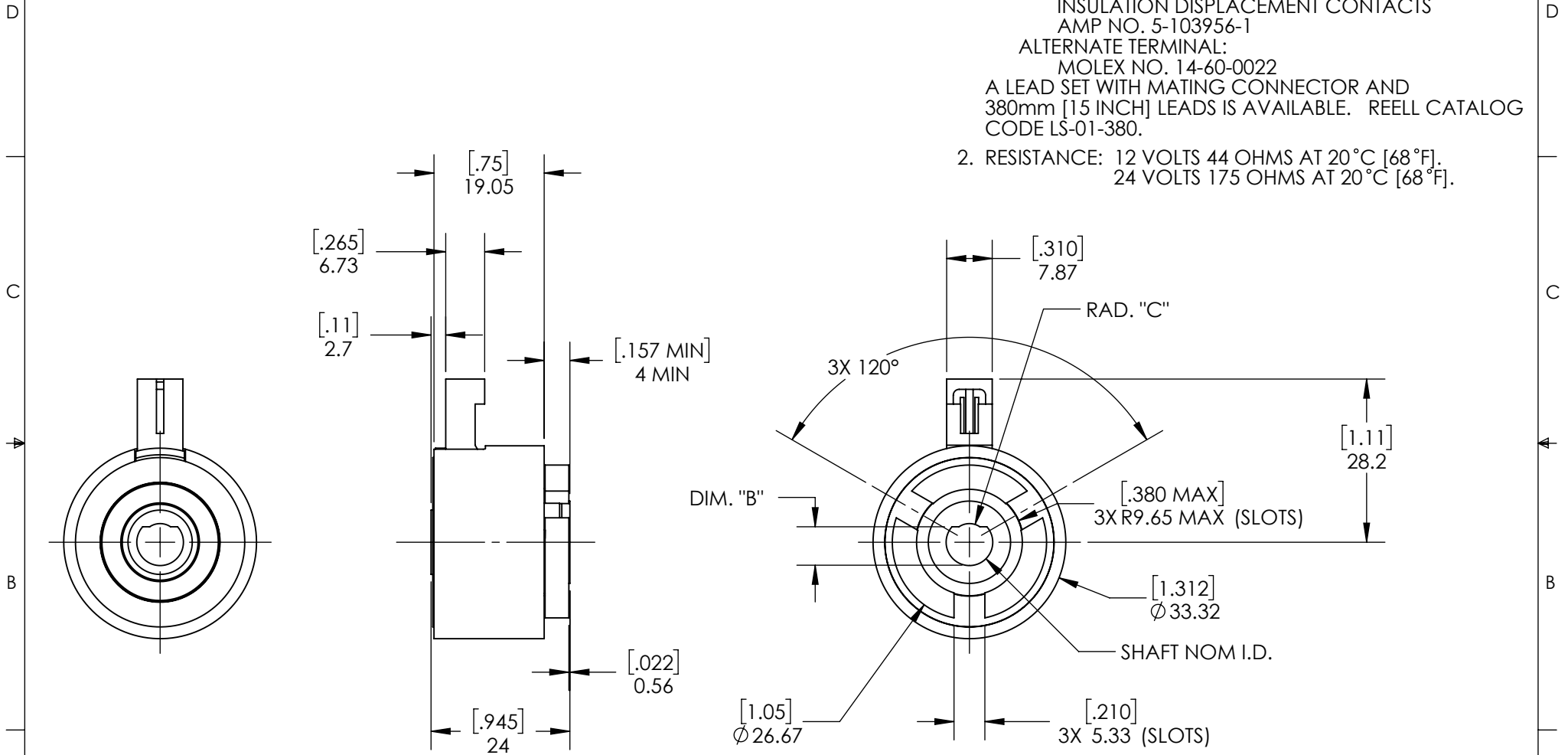
SPECIFICATIONS SUBJECT TO CHANGE

	ECO NO: 05550	PART LIFECYCLE: RELEASED
	APPROVED BY: BOB WAHLSTEDT	DEVELOPMENT CYCLE: PRODUCTION
	APPROVED DATE: 15NOV22	DESCRIPTION:
	PROJECT NO: 0	<b>SALES DRAWING</b>
ENGINEER: BOB WAHLSTEDT		
REELL PRECISION MANUFACTURING 1259 WILLOW LAKE BOULEVARD SAINT PAUL, MINNESOTA 55110-5103, USA	DRAWN BY: BOB WAHLSTEDT	
THIS PRINT IS THE CONFIDENTIAL PROPERTY OF REELL PRECISION MFG.	THIRD ANGLE PROJECTION 	PART NO: EX30XP
INTERPRET PRINT PER ASME Y14.5M-2009	DIMENSIONS: mm	SCALE: 1:1
		DO NOT SCALE DRAWING
		SHEET 2 OF 3
		REV: L

REELL RADIAL ELECTRIC CLUTCH			
SHAFT NOM. I.D.	DIM. "B"	RAD. "C"	ONE MILLION CYCLE TORQUE RATING: 3.4 Nm [30 Lb-in] TOTAL LOAD
6 mm	5.01 mm	2.51 mm	D SHAFT 8 mm BORE SHOWN
8 mm	6.64 mm	3,2 mm	

NOTES:

- CONNECTOR PINS ARE 0.64 x 0.64 [.025 x .025] SQUARE. THE FOLLOWING MATING CONNECTORS CAN BE USED.  
 TERMINAL: POLARIZED LATCHING CONNECTOR, INSULATION DISPLACEMENT CONTACTS  
 AMP NO. 5-103956-1  
 ALTERNATE TERMINAL:  
 MOLEX NO. 14-60-0022  
 A LEAD SET WITH MATING CONNECTOR AND 380mm [15 INCH] LEADS IS AVAILABLE. REELL CATALOG CODE LS-01-380.
- RESISTANCE: 12 VOLTS 44 OHMS AT 20 °C [68 °F].  
 24 VOLTS 175 OHMS AT 20 °C [68 °F].



ALL DIMENSIONS REFERENCE  
SEE CAD MODEL FOR UNSPECIFIED FEATURES

SPECIFICATIONS SUBJECT TO CHANGE

	ECO NO: 05550	PART LIFECYCLE: RELEASED
	APPROVED BY: BOB WAHLSTEDT	DEVELOPMENT CYCLE: PRODUCTION
	APPROVED DATE: 15NOV22	DESCRIPTION:
	PROJECT NO: 0	<b>SALES DRAWING</b>
REELL PRECISION MANUFACTURING 1259 WILLOW LAKE BOULEVARD SAINT PAUL, MINNESOTA 55110-5103, USA	ENGINEER: BOB WAHLSTEDT	PART NO: <b>EX30XP</b>
THIS PRINT IS THE CONFIDENTIAL PROPERTY OF REELL PRECISION MFG.	DRAWN BY: BOB WAHLSTEDT	
INTERPRET PRINT PER ASME Y14.5M-2009	THIRD ANGLE PROJECTION 	SCALE: 1:1
	DIMENSIONS: mm	DO NOT SCALE DRAWING
		SHEET 3 OF 3